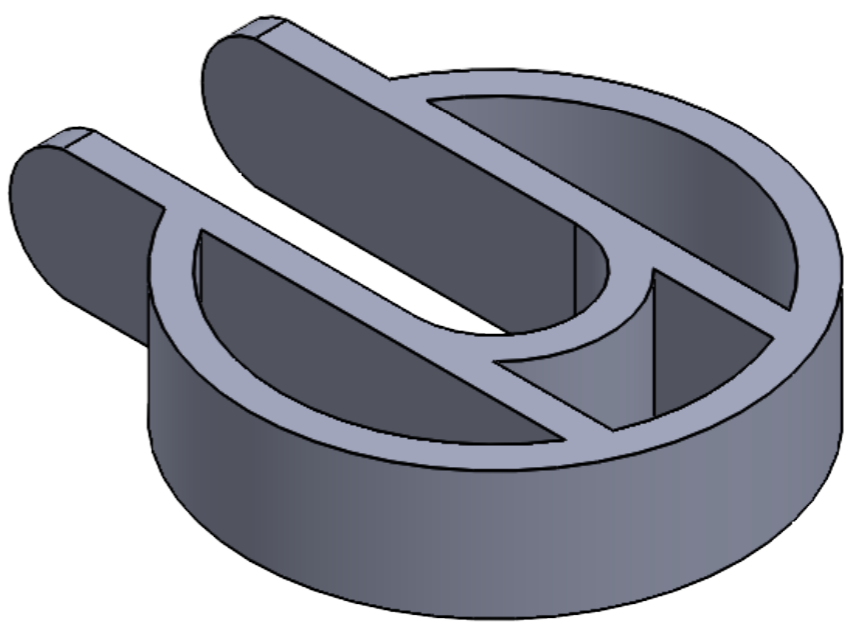
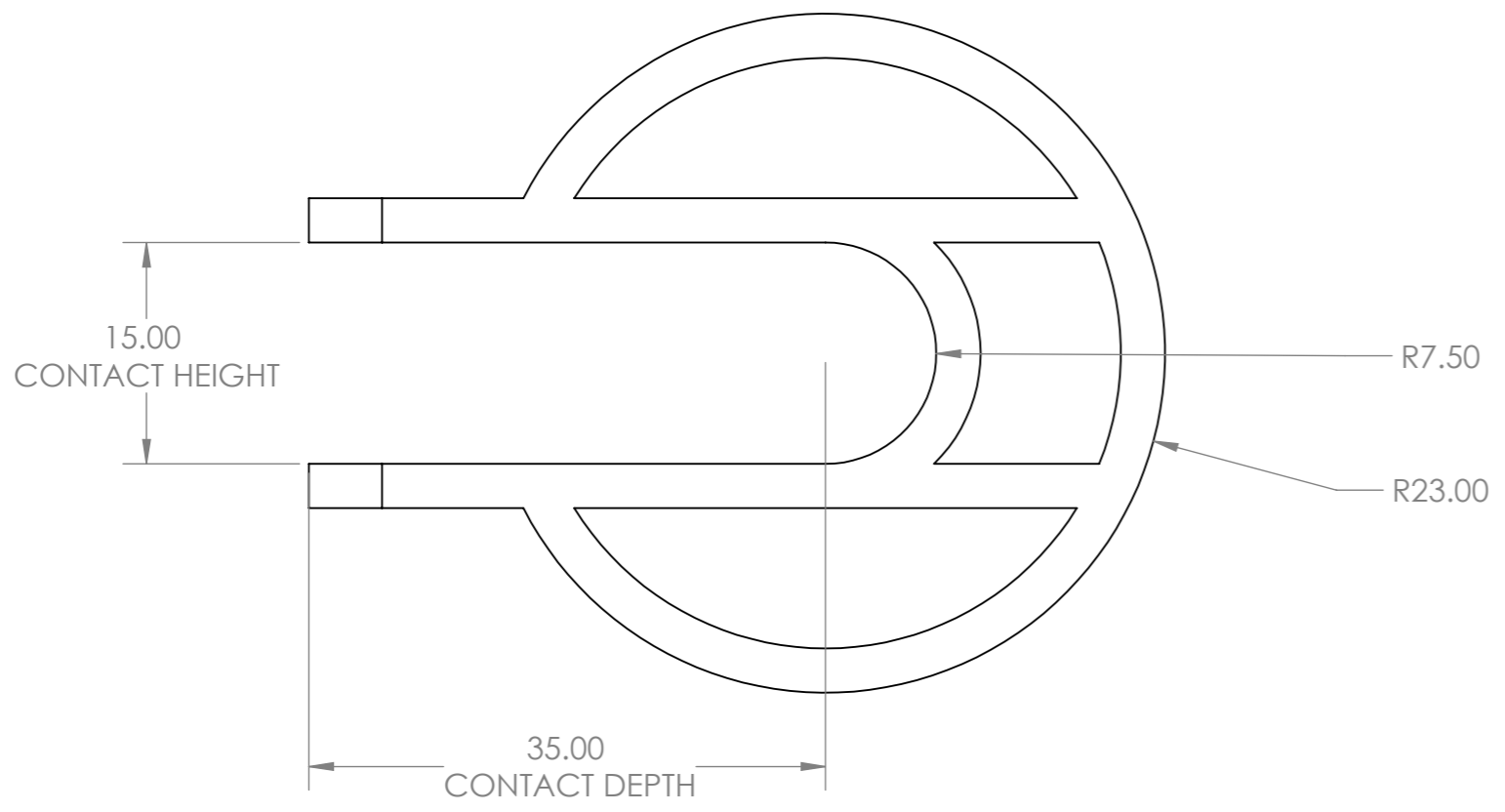
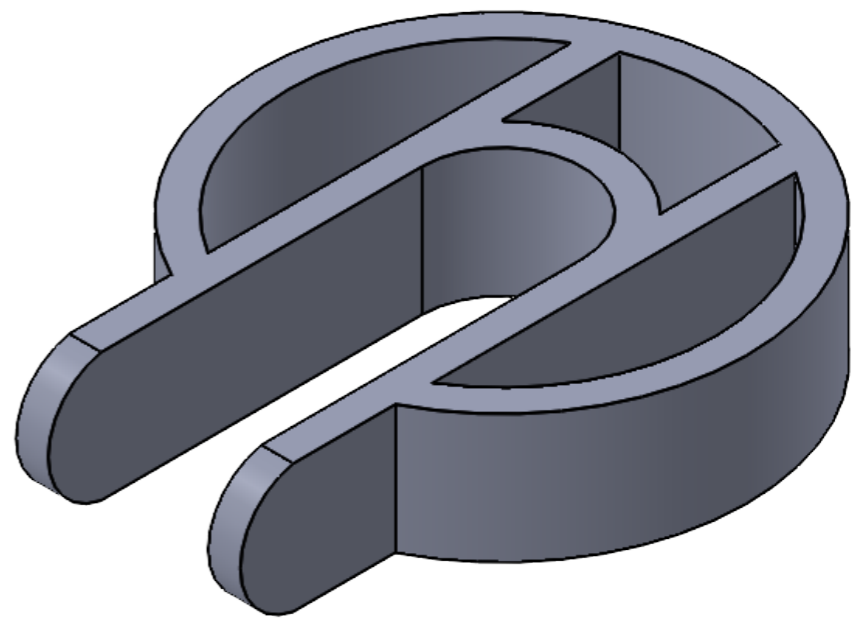
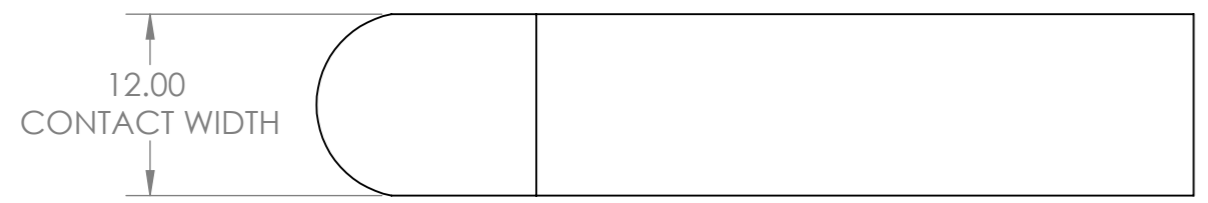


8 7 6 5 4 3 2 1

F
E
D
C
B
A

F
E
D
C
B
A



DO NOT SCALE DRAWING		REVISION 1.0
UNLESS OTHERWISE SPECIFIED: DIMENSIONS ARE IN MILLIMETERS.		
TITLE: ImplantCrimp		
DWG NO. 1.0	A3	
SCALE:2:1	SHEET 1 OF 1	

A